



STUDIO

COMBINE THE MASTER POTTER'S CRAFT OF THE HANDMADE SURFACE WITH A DEFINED, SOPHISTICATED EDGE.



TRANSLUCENT GLAZE

The innovative Studio Collection offers depth and character for understated movement and variation. The ensemble includes highly embossed decos, artfully painted surfaces, and three-dimensional trims - all in a deeply satisfying color palette. You can personalize bathrooms, backsplashes, accent walls, and more for a lasting impression.

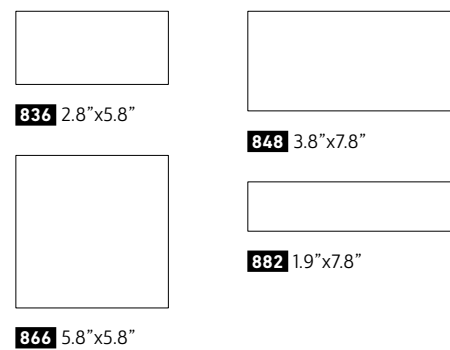


GLOSSY FINISH - SLIGHTLY UNDULATED SURFACE

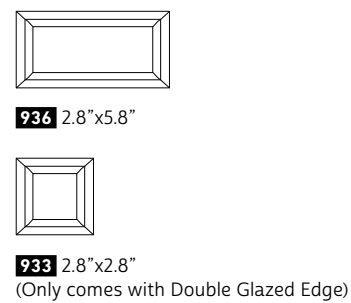


FIELD TILES

UNDULATED

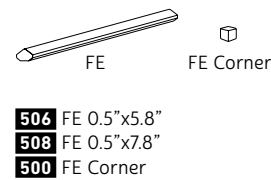


FRAMED

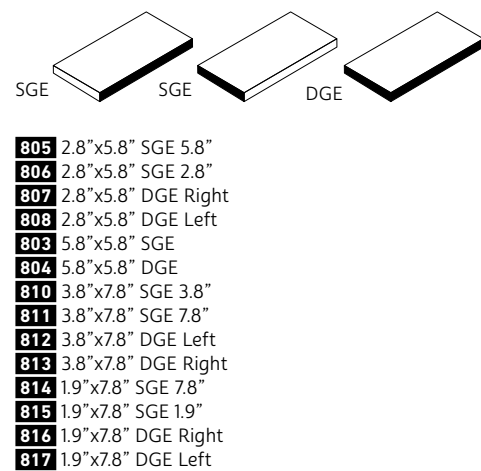


TRIMS

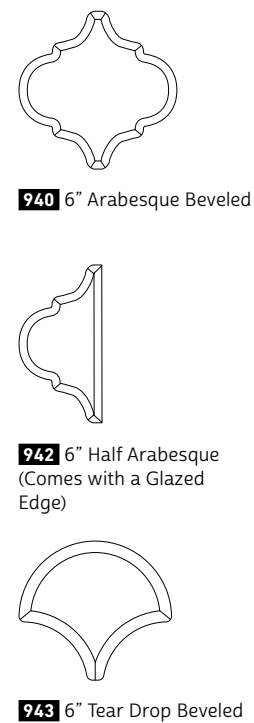
FINISHING EDGES



GLAZED EDGES



BEVELED



TRIMS

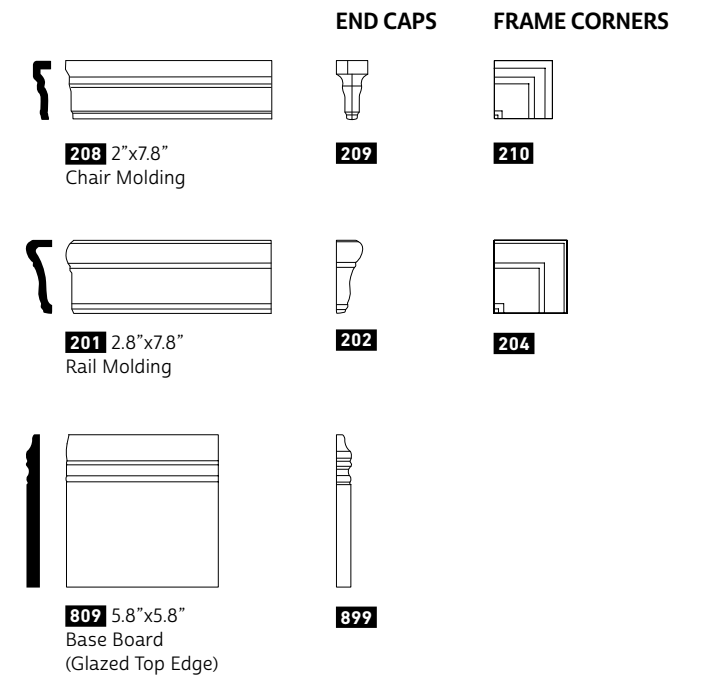
BEVELED GLAZED EDGES



DECORATIVE ACCESSORIES



FINISHING TOUCHES



SNOW CAP **ADSTW**



ICE BLUE **ADSTI**



BAMBOO **ADSTB**



FERN **ADSTF**



ALMOND **ADSTA**



SILVER SANDS **ADSTS**



EUCALYPTUS **ADSTE**



GRAYSTONE **ADSTG**



TIMBERLINE ADSTT



VOLCANICO ADSTV



FLOWER DECO DAWN ADSTH166





FIELD TILES		
SIZE	SIZE SPECIFICATIONS	THICKNESS*
FLATTILE		
2.8"x5.8"	2.874"x5.827" (73mm x 148mm)	0.346" (8.8mm)
5.8"x5.8"	5.827"x5.827" (148mm x 148mm)	0.346" (8.8mm)
3.8"x7.8"	3.858"x7.795" (98mm x 198mm)	0.346" (8.8mm)
1.9"x7.8"	1.890"x7.795" (48mm x 198mm)	0.346" (8.8mm)
BEVELED TILE		
6" Arabesque Beveled	5.906"x5.906" (150mm x 150mm)	0.488" (12.4mm)
6" Tear Drop Beveled	5.2362"x5.906" (133mm x 150mm)	0.460" (11.7mm)
FRAMED TILE		
2.8"x5.8" Framed	2.874"x5.827" (73mm x 148mm)	0.543" (13.8mm)
DECORATIVE ACCESSORIES & FINISHING TOUCHES		
Ponciana Liner 1"x7.8"	0.984"x7.795" (25mm x 198mm)	0.394" (10mm)
Round Bar Liner 1.2"x7.8"	1.102"x7.795" (28mm x 198mm)	0.669" (17mm)
Stripe Liner 0.7"x7.8"	0.709"x7.795" (18mm x 198mm)	0.512" (13mm)
Quarter Round 1"x5.8"	0.945"x5.827" (24mm x 148mm)	0.394" (10mm)
Rail Molding 2.8"x7.8"	2.992"x7.795" (76mm x 198mm)	1.102" (28mm)
Chair Molding 2"x7.8"	2.008"x7.795" (51mm x 198mm)	0.866" (22mm)
Base Board (Glazed Top Edge) 5.8"x5.8"	5.827"x5.827" (148mm x 148mm)	0.512" (13mm)

*Thickness is understood as the highest point of the tile.

APPLICATIONS		
	SUITABLE RESIDENTIAL	SUITABLE COMMERCIAL
Bathroom Walls	YES	YES
Shower Walls	YES	YES
Kitchen Walls	YES	YES
Countertops	YES	NO
Fireplace Surrounds	YES	YES
Outdoor Cooking / Bar Spaces (Non Freeze-Thaw Climates)	YES	YES
Pool Waterlines / Water Fountains	NO	NO
Floors	NO	NO
PERFORMANCE CHARACTERISTICS		
	TEST METHOD ASTM / ISO	RESULT
Water Absorption	C-373 / 10545-3	Pass
Breaking Strength	C-648 / 10545-4	Pass
Stain Resistance	C-1378 / 10545-14	Resistant
Chemical Resistance	C-650 / 10545-13	Resistant
Facial Dimensions	C-499 / 10545-2	Pass
Range of Thickness	C-499 / 10545-2	Pass
Warpage	C-485 / 10545-2	Pass

INSTALLATION	
GROUT JOINT RECOMMENDATION	SHADE VARIATION
1/8"	V1 - Uniform Appearance

CLEANING RECOMMENDATIONS
Routine with a non-abrasive/non-acidic, mild and PH neutral cleaner

CHARACTERISTICS	
Glaze	Solid with subtle movement
Surface Sheen	Glossy
Texture	Slightly Undulated

Due to the nature of our tile, a certain amount of variation in color, shading, surface and texture are to be expected.

— EST 1967 —

FACINGS

—
OF AMERICA