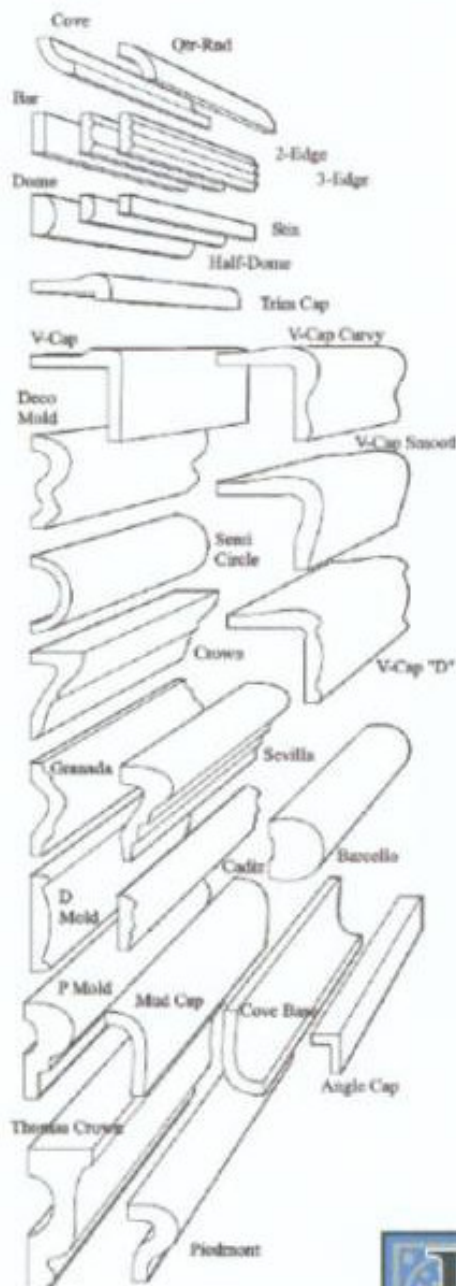
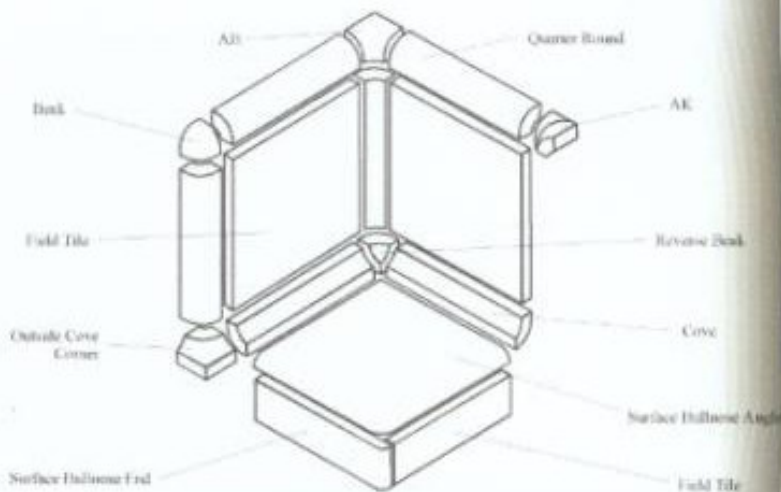


# Exclusive Product Announcement!

## WE CARRY ALL THE TRIM



Many tile lines provide several choices of field tile. However, only Facings of America invests in our clients' projects by ensuring we also provide the necessary trim pieces to complete the job. The tile line shown here comes in hundreds of colors, sizes, and trim pieces. Facings continues to search the world for the finest quality products for our clients and we will not sell inferior products! Please visit our showroom or website for more information.



STONE | TILE | ARCHITECTURAL FEATURES™

4121 North 27th Street • Phoenix, AZ 85016 • telephone: 602.955.9217  
toll free: 800.657.0331 • fax: 602.224.9793 • [www.facingsofamerica.com](http://www.facingsofamerica.com)